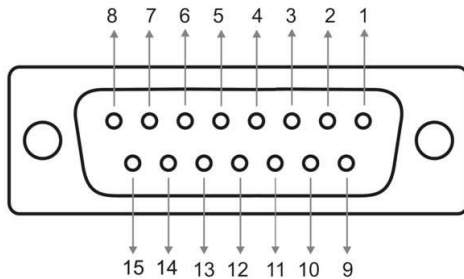
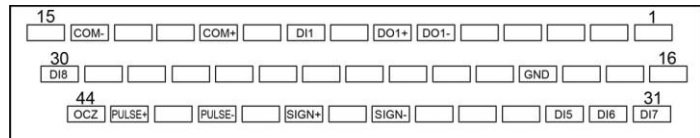


How to Connect RadonixPC and Two DELTA ASDA-B2

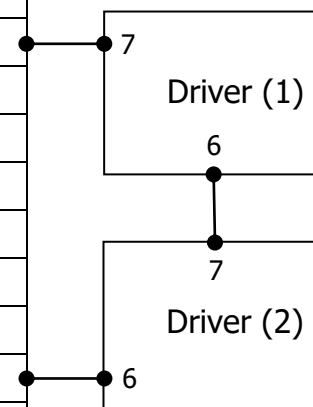


RadonixPC (DB15F)



ASDA-B (DB25F)

RadonixPC Pin	Description	ADSA-B2 (1,2) Pins
1	VCC +24 V	11 (1,2)
2	Direction -	37 (1,2)
3	Direction +	39 (1,2)
4	Pulse -	41 (1,2)
5	Pulse +	43 (1,2)
6	Servo On	9 (1,2)
7	Ready	7 (1)
8	Encoder Zero	44 (1,2)
9	Reset Alarm	33 (1,2)
10	Ground	32 (1,2)
11	Ground	31 (1,2)
12	Ground	30 (1,2)
13	Ground	19 (1,2)
14	Ground	6 (2)
15	Ground	14 (1,2)



Do this sequence for ready pins:

- Controller-P7 → Driver (1)-P7
- Driver (1)-P6 → Driver (2)-P7
- Driver (2)-P6 → Controller-P14